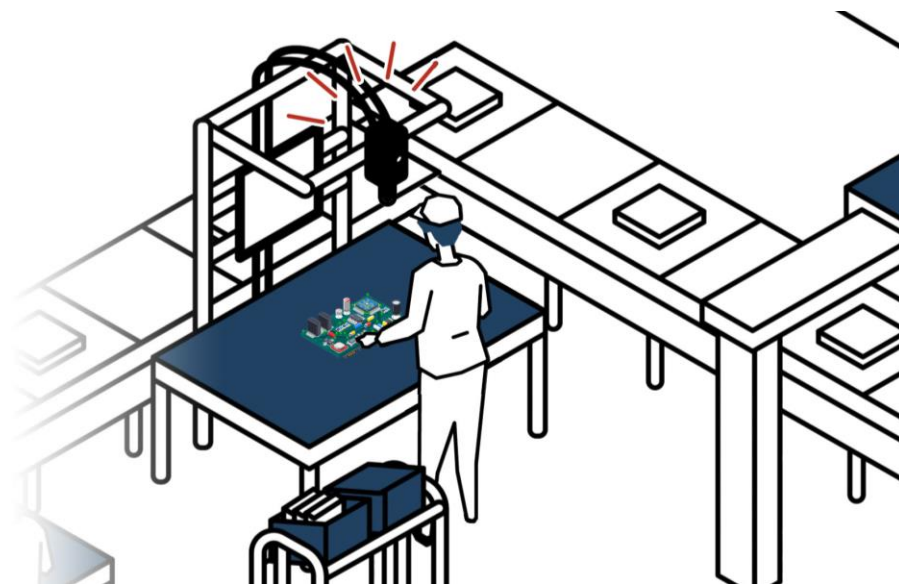


Work Inspection Camera

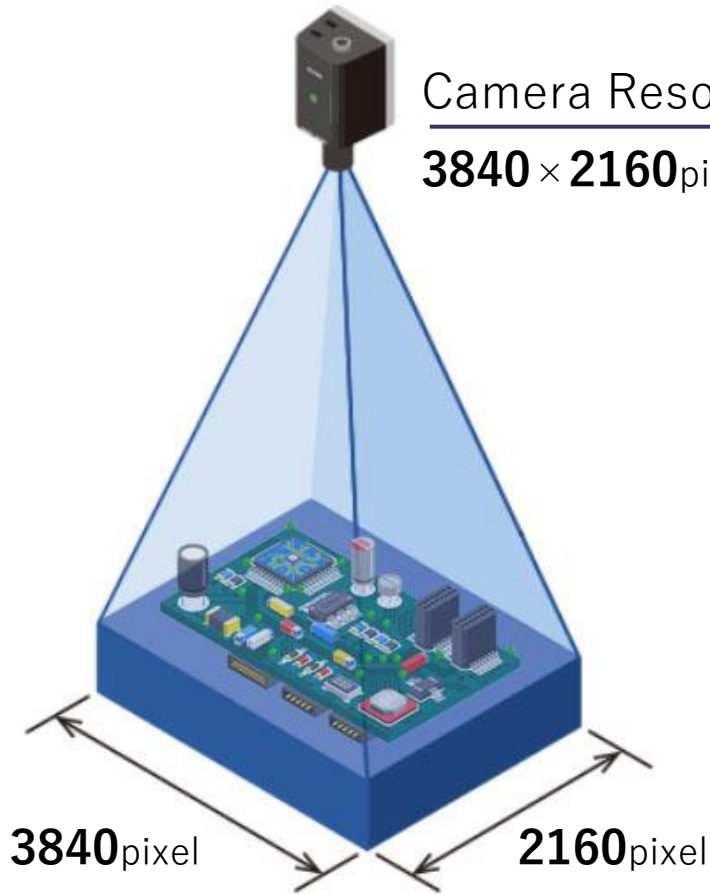
RICOH SC-20

Anchor Point
Check Point
Lens Size Regulations

RICOH
imagine. change.



Camera Resolution **3840 × 2160**pixel

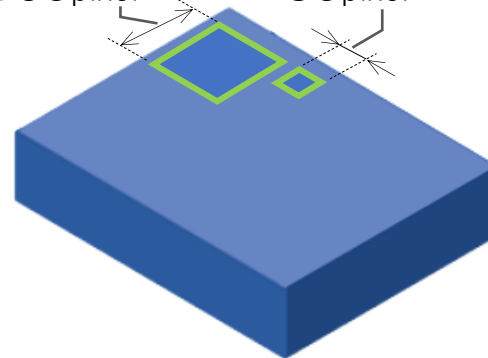


Both "Anchor Point" and "Check Point" set by SC-20 are limited to the size that can be specified.

The actual size values vary depending on the type of lens used and the shooting distance, but they are all limited by the number of pixels in the image captured by the camera, which is based on the values below.

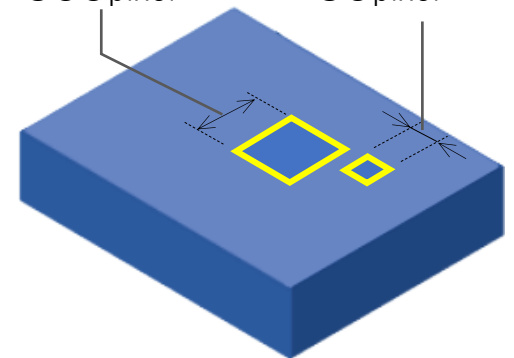
Anchor Point

Maximum specified size **700**pixel
~
Minimum specified size **50**pixel



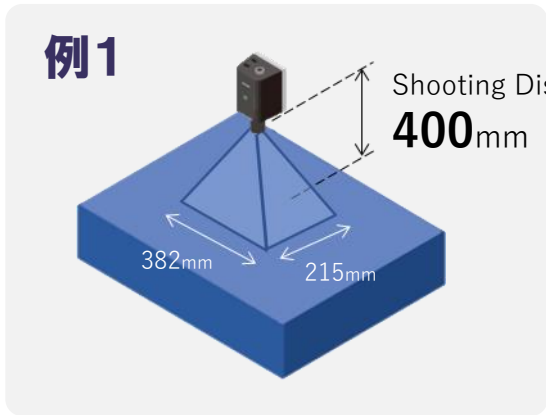
Check Point

Maximum specified size **500**pixel
~
Minimum specified size **50**pixel



The actual number of mm that the above values correspond to will be explained on the following pages.

The size that can be specified for Anchor Point and Check Point varies depending on the Shooting Distance (height of the camera installation).



Anchor Point

■ **Maximum specified size** (700pixel)

$$\frac{700}{3840} \times 382 = \text{about } \mathbf{69.6} \text{ mm}$$

}

■ **Minimum specified size** (50pixel)

$$\frac{50}{3840} \times 382 = \text{about } \mathbf{5.0} \text{ mm}$$

Check Point

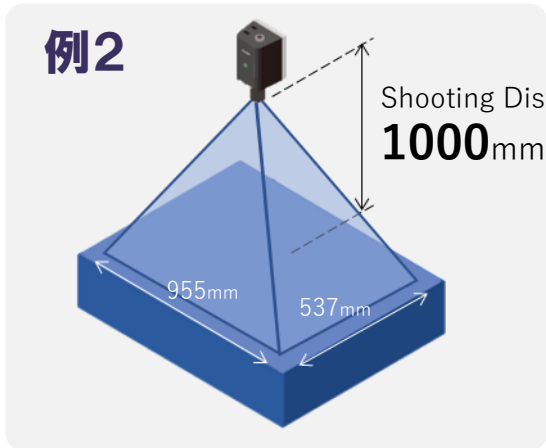
■ **Maximum specified size** (500pixel)

$$\frac{500}{3840} \times 382 = \text{about } \mathbf{49.7} \text{ mm}$$

}

■ **Minimum specified size** (50pixel*)

$$\frac{50}{3840} \times 382 = \text{about } \mathbf{5.0} \text{ mm}$$



■ **Maximum specified size** (700pixel)

$$\frac{700}{3840} \times 955 = \text{about } \mathbf{174.1} \text{ mm}$$

}

■ **Minimum specified size** (50pixel)

$$\frac{50}{3840} \times 955 = \text{about } \mathbf{12.4} \text{ mm}$$

■ **Maximum specified size** (500pixel)

$$\frac{500}{3840} \times 955 = \text{about } \mathbf{124.3} \text{ mm}$$

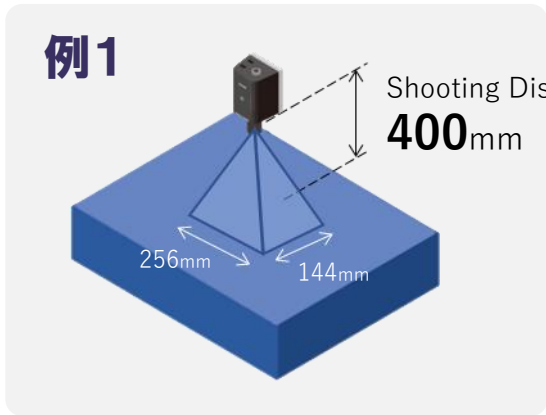
}

■ **Minimum specified size** (50pixel*)

$$\frac{50}{3840} \times 955 = \text{about } \mathbf{12.4} \text{ mm}$$

• Please check the ["quick reference chart"](#) for the minimum check points / anchor points sizes below 50px.

The size that can be specified for Anchor Point and Check Point varies depending on the Shooting Distance (height of the camera installation).



Anchor Point

- **Maximum specified size** (700pixel)

$$\frac{700}{3840} \times 256 = \text{about } \mathbf{46.7} \text{ mm}$$

}

- **Minimum specified size** (50pixel)

$$\frac{50}{3840} \times 256 = \text{about } \mathbf{3.3} \text{ mm}$$

Check Point

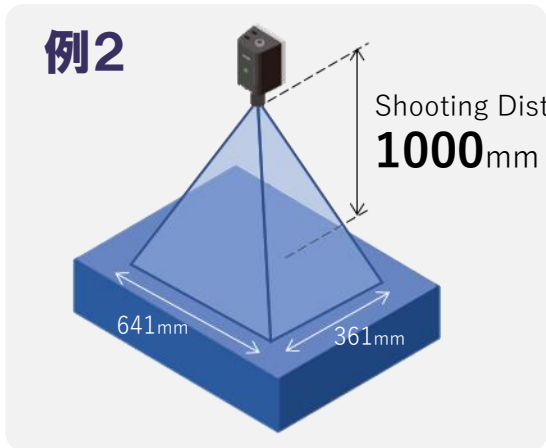
- **Maximum specified size** (500pixel)

$$\frac{500}{3840} \times 256 = \text{about } \mathbf{33.3} \text{ mm}$$

}

- **Minimum specified size** (50pixel*)

$$\frac{50}{3840} \times 256 = \text{about } \mathbf{3.3} \text{ mm}$$



- **Maximum specified size** (700pixel)

$$\frac{700}{3840} \times 641 = \text{about } \mathbf{116.8} \text{ mm}$$

}

- **Minimum specified size** (50pixel)

$$\frac{50}{3840} \times 641 = \text{about } \mathbf{8.3} \text{ mm}$$

- **Maximum specified size** (500pixel)

$$\frac{500}{3840} \times 641 = \text{about } \mathbf{83.5} \text{ mm}$$

}

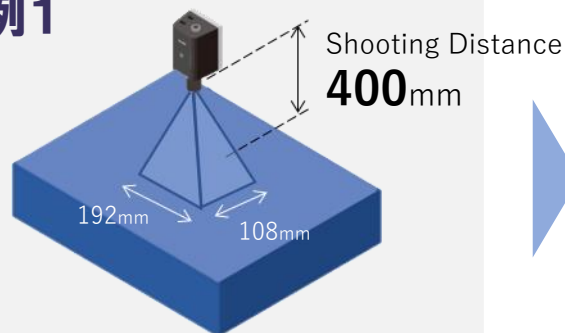
- **Minimum specified size** (50pixel*)

$$\frac{50}{3840} \times 641 = \text{about } \mathbf{8.3} \text{ mm}$$

• Please check the ["quick reference chart"](#) for the minimum check points / anchor points sizes below 50px.

The size that can be specified for Anchor Point and Check Point varies depending on the Shooting Distance (height of the camera installation).

例1



Anchor Point

- **Maximum specified size** (700pixel)

$$\frac{700}{3840} \times 192 = \text{about } \mathbf{35.0} \text{ mm}$$

}

- **Minimum specified size** (50pixel)

$$\frac{50}{3840} \times 192 = \text{about } \mathbf{2.5} \text{ mm}$$

Check Point

- **Maximum specified size** (500pixel)

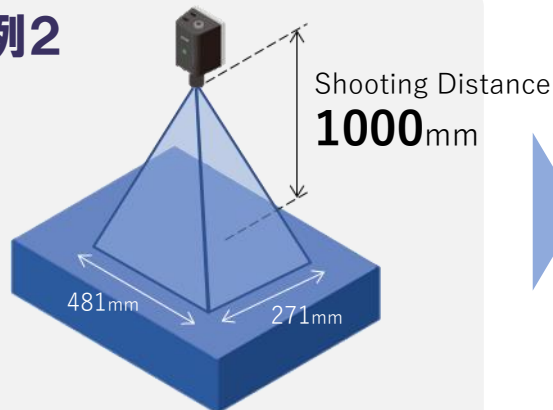
$$\frac{500}{3840} \times 192 = \text{about } \mathbf{25} \text{ mm}$$

}

- **Minimum specified size** (50pixel*)

$$\frac{50}{3840} \times 192 = \text{about } \mathbf{2.5} \text{ mm}$$

例2



- **Maximum specified size** (700pixel)

$$\frac{700}{3840} \times 481 = \text{about } \mathbf{87.7} \text{ mm}$$

}

- **Minimum specified size** (50pixel)

$$\frac{50}{3840} \times 481 = \text{about } \mathbf{6.3} \text{ mm}$$

- **Maximum specified size** (500pixel)

$$\frac{500}{3840} \times 481 = \text{about } \mathbf{62.6} \text{ mm}$$

}

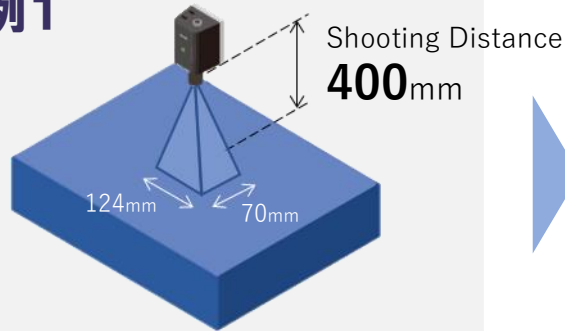
- **Minimum specified size** (50pixel*)

$$\frac{50}{3840} \times 481 = \text{about } \mathbf{6.3} \text{ mm}$$

• Please check the ["quick reference chart"](#) for the minimum check points / anchor points sizes below 50px.

The size that can be specified for Anchor Point and Check Point varies depending on the Shooting Distance (height of the camera installation).

例1



Anchor Point

■ **Maximum specified size** (700pixel)

$$\frac{700}{3840} \times 124 = \text{about } \mathbf{22.6} \text{ mm}$$

}

■ **Minimum specified size** (50pixel)

$$\frac{50}{3840} \times 124 = \text{about } \mathbf{1.6} \text{ mm}$$

Check Point

■ **Maximum specified size** (500pixel)

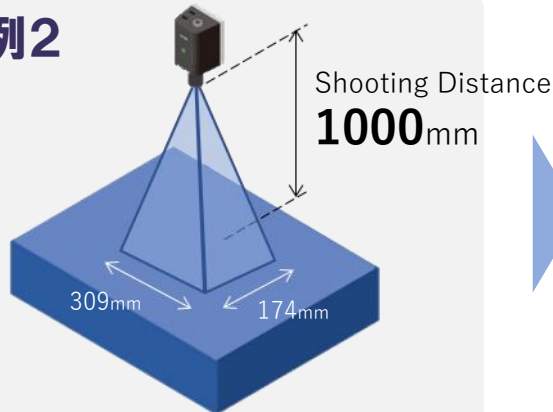
$$\frac{500}{3840} \times 124 = \text{about } \mathbf{16.1} \text{ mm}$$

}

■ **Minimum specified size** (50pixel*)

$$\frac{50}{3840} \times 124 = \text{about } \mathbf{1.6} \text{ mm}$$

例2



■ **Maximum specified size** (700pixel)

$$\frac{700}{3840} \times 309 = \text{about } \mathbf{56.3} \text{ mm}$$

}

■ **Minimum specified size** (50pixel)

$$\frac{50}{3840} \times 309 = \text{about } \mathbf{4.0} \text{ mm}$$

■ **Maximum specified size** (500pixel)

$$\frac{500}{3840} \times 309 = \text{about } \mathbf{40.2} \text{ mm}$$

}

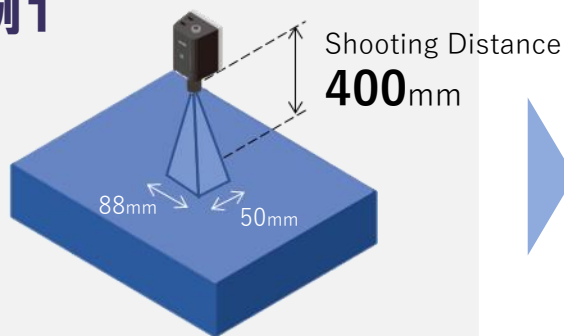
■ **Minimum specified size** (50pixel*)

$$\frac{50}{3840} \times 309 = \text{about } \mathbf{4.0} \text{ mm}$$

• Please check the "[quick reference chart](#)" for the minimum check points / anchor points sizes below 50px.

The size that can be specified for Anchor Point and Check Point varies depending on the Shooting Distance (height of the camera installation).

例1



Anchor Point

■ **Maximum specified size** (700pixel)

$$\frac{700}{3840} \times 88 = \text{about } \mathbf{16.0} \text{ mm}$$

}

■ **Minimum specified size** (50pixel)

$$\frac{50}{3840} \times 88 = \text{about } \mathbf{1.1} \text{ mm}$$

Check Point

■ **Maximum specified size** (500pixel)

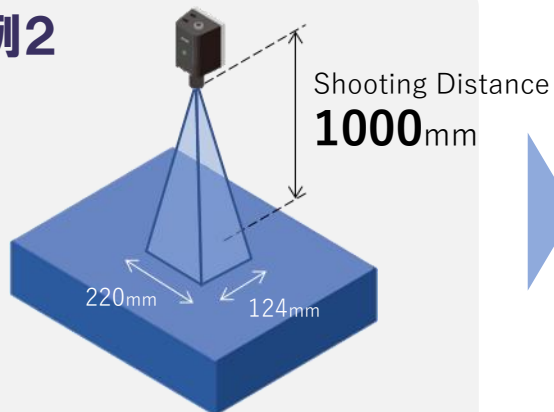
$$\frac{500}{3840} \times 88 = \text{about } \mathbf{11.5} \text{ mm}$$

}

■ **Minimum specified size** (50pixel*)

$$\frac{50}{3840} \times 88 = \text{about } \mathbf{1.1} \text{ mm}$$

例2



■ **Maximum specified size** (700pixel)

$$\frac{700}{3840} \times 220 = \text{about } \mathbf{40.1} \text{ mm}$$

}

■ **Minimum specified size** (50pixel)

$$\frac{50}{3840} \times 220 = \text{about } \mathbf{2.9} \text{ mm}$$

■ **Maximum specified size** (500pixel)

$$\frac{500}{3840} \times 220 = \text{about } \mathbf{28.6} \text{ mm}$$

}

■ **Minimum specified size** (50pixel*)

$$\frac{50}{3840} \times 220 = \text{about } \mathbf{2.9} \text{ mm}$$

• Please check the "[quick reference chart](#)" for the minimum check points / anchor points sizes below 50px.

Lens Focal length	Shooting Distance	Size (pixel)	400 mm	500 mm	600 mm	700 mm	800 mm	900 mm	1000 mm
FL-CC0820-5MX 8mm	Anchor Point	50 × 50	4.98 mm	6.22 mm	7.46 mm	8.71 mm	9.95 mm	11.19 mm	12.44 mm
		700 × 700	69.66 mm	87.07 mm	104.49 mm	121.90 mm	139.31 mm	156.73 mm	174.14 mm
	Check Point	12 × 12*	1.19mm	1.49mm	1.79mm	2.09mm	2.39mm	2.69mm	2.99mm
		50 × 50	4.98 mm	6.22 mm	7.46 mm	8.71 mm	9.95 mm	11.19 mm	12.44 mm
FL-CC1218-5MX 12mm	Anchor Point	50 × 50	3.34 mm	4.17 mm	5.01 mm	5.84 mm	6.68 mm	7.51 mm	8.35 mm
		700 × 700	46.75 mm	58.44 mm	70.13 mm	81.82 mm	93.51 mm	105.20 mm	116.89 mm
	Check Point	12 × 12*	0.8mm	1.0mm	1.2mm	1.4mm	1.61mm	1.81mm	2.01mm
		50 × 50	3.34 mm	4.17 mm	5.01 mm	5.84 mm	6.68 mm	7.51 mm	8.35 mm
FL-CC1618-5MX 16mm	Anchor Point	50 × 50	2.51 mm	3.13 mm	3.76 mm	4.39 mm	5.01 mm	5.64 mm	6.27 mm
		700 × 700	35.09 mm	43.86 mm	52.63 mm	61.40 mm	70.18 mm	78.95 mm	87.72 mm
	Check Point	12 × 12*	0.6mm	0.75mm	0.9mm	1.05mm	1.2mm	1.35mm	1.5mm
		50 × 50	2.51 mm	3.13 mm	3.76 mm	4.39 mm	5.01 mm	5.64 mm	6.27 mm
FL-CC2518-5MX 25mm	Anchor Point	50 × 50	1.61 mm	2.01 mm	2.41 mm	2.82 mm	3.22 mm	3.62 mm	4.02 mm
		700 × 700	22.53 mm	28.16 mm	33.80 mm	39.43 mm	45.06 mm	50.70 mm	56.33 mm
	Check Point	12 × 12*	0.39mm	0.48mm	0.58mm	0.68mm	0.77mm	0.87mm	0.97mm
		50 × 50	1.61 mm	2.01 mm	2.41 mm	2.82 mm	3.22 mm	3.62 mm	4.02 mm
FL-CC3524-5MX 35mm	Anchor Point	50 × 50	1.15 mm	1.43 mm	1.72 mm	2.01 mm	2.29 mm	2.58 mm	2.87 mm
		700 × 700	16.05 mm	20.06 mm	24.07 mm	28.09 mm	32.10 mm	36.11 mm	40.12 mm
	Check Point	12 × 12*	0.28mm	0.34mm	0.41mm	0.48mm	0.55mm	0.62mm	0.69mm
		50 × 50	1.15 mm	1.43 mm	1.72 mm	2.01 mm	2.29 mm	2.58 mm	2.87 mm
		500 × 500	11.46 mm	14.33 mm	17.20 mm	20.06 mm	22.93 mm	25.79 mm	28.66 mm

* The minimum sizes shown in the chart are for when the option "Allow checkpoints with sides less than 50px" is enabled. Please refer to the "Creating an Inspection Step" in the "10. Creating a Workflow" of the [Operating Instructions](#) for details.